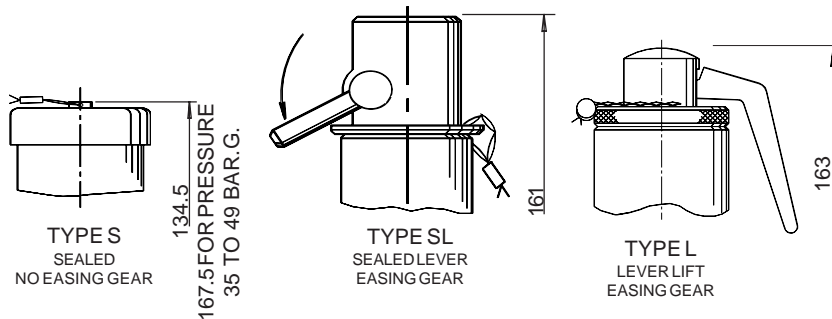


ILLUSTRATED SHOWING
TYPE R
ROTA-LIFT
EASING GEAR

ALTERNATIVE TOP FITTINGS



PARTS LIST & MATERIAL SPECIFICATION

| | 63613 | 63713, 63113 | 64613, 64713, 64113 | 65613 | 65713, 65113 |
|----|---|--------------|---|---|--------------|
| 1 | INLET SEAT BRASS BS EN 12164 CW614N | | ST.STL. BS EN 10088-3 1.4401 (316) SA-479 S31600 | ST.STL. BS EN 10088-3 1.4401 (316) SA-479 S31600 | |
| 2 | TUTCHTITE SEAL TO SUIT APPLICATION | | | | |
| 3 | SEAL RETAINER BRASS BS EN 12164 CW614N | | ST.STL. BS EN 10088-3 1.4401 (316) | ST.STL. BS EN 10088-3 1.4401 (316) | |
| 4 | PLUNGER BRASS BS EN 12164 CW602N | | ST.STL. BS EN 10088-3 1.4401 (316) | BRASS BS EN 12164 CW602N | |
| 5 | BODY BRONZE / GUNMETAL BS EN 1982 CC491K SB-62 C83600 | | ST.STL. EN 10283 1.4408 (316) SA-351 CF8M | BRONZE / GUNMETAL BS EN 1982 CC491K SB-62 C83600 | |
| 6 | SPRING ST.STL. BS EN 10270-3 1.4310 (302) | | | | |
| 7 | SPINDLE ST.STL. BS EN 10088-3 1.4057 (431) | | | | |
| 8 | ADJUSTER BRASS BS EN 12164 CW614N | | ST.STL. BS EN 10088-3 1.4401 (316) | BRASS BS EN 12164 CW614N | |
| 9 | CAP BRASS BS EN 12164 CW614N | | ST.STL. BS EN 10088-3 1.4401 (316) | BRASS BS EN 12164 CW614N | |
| 10 | NAMEPLATE ALUMINIUM ALLOY | | | | |
| 11 | WIRE & SEAL ST.STL. & LEAD | | | | |

APPROVALS

Ad-Merkblatt A2: (TÜV Germany) Ref - TÜV.SV.04-761.13,7.D/G.0,71.p.
P.E.D. 97/23/EC

Type examination module B, Cert. No. 01 202 111-B-00016

Quality management system module D, Cert. No. EDS 0002011/01

Designed in accordance with BS6759 & BS EN ISO 4126-1

Meeting the requirements of the A.S.M.E. Boiler & Pressure Vessel code section VIII for air/gas.

UV Cert. of Authorisation: 35757

Capacities certified by the National Board of Boiler & Pressure Vessel Inspectors.

TECHNICAL DATA

Relieving pressure = Set pressure + 10% (0.3 Bar.g. below 1.4 Bar.g.)
 Reseating pressure = Set pressure - 10% (0.3 Bar.g. minimum)
 Maximum set pressure = 49 Bar.g (12 Bar.g. Steam)
 Minimum set pressure = 0.32 Bar.g (TÜV & A.S.M.E. 1.4 Bar.g.)
 Flow area = 147.4 mm²
 Inlet bore diameter = 13.7 mm
 BS Derated coefficient of discharge K_{dr} = 0.78
 TÜV Derated coefficient of discharge α_w = 0.71
 BS Minimum lift at 10% overpressure = 5.7 mm
 NB Certified rated slope = 3.47 scfm/psia
 Temperature Range = -20°C to 200°C subject to seal material.
 Maximum permissible built up back pressure = 10% of set pressure at or below which flow is not reduced.
 Stable operation on flows down to 50% of valve rated capacity.
 FOR FURTHER INFORMATION, INSTALLATION AND OPERATION INSTRUCTIONS, CONVERSION FACTORS ETC.
 SEE TECHNICAL INFORMATION SECTION.

SHEET 1 OF 2 SHEETS.



SEETRU LIMITED

ALBION DOCKSIDE WORKS, BRISTOL. BS1 6UT

TELEPHONE +44 (0) 117 927 9204, FAX +44 (0) 117 929 8193

www.seetru.com enquires@seetru.com

13mm Nominal Bore
DIRECT SPRING LOADED ENCLOSED
DISCHARGE SAFETY VALVE FOR
COMPRESSED AIR, GASES & STEAM

ENCLOSED DISCHARGE
13mm NOMINAL BORE SERIES M/2

TYPE 63613, 63713, 63113 BRASS
TYPE 64613, 64713, 64113 ST.STL.
TYPE 65613, 65713, 65113 BRASS/ST.STL.

FLOW CHART (P.E.D.)

- TO CALCULATE INTERMEDIATE FLOWS SEE TECHNICAL INFORMATION SECTION.

- FOR GREATER FLOWS REFER TO 18mm BORE TYPE 63618 DATA SHEET, FOR LOWER FLOWS REFER TO 63610 DATA SHEET

| SET PRESSURE Bar.g | NOT APPROVED | | APPROVED PRESSURE RANGE | | | | | | | | | | | | | |
|--|--------------|-------|-------------------------|-----|-------|-------|-------|-------|-------|-------|-----|-------|------|------|------|------|
| | 0.32 | 1 | 1.4 | 2 | 3 | 4 | 5 | 6 | 7 | 8 | 9 | 10 | 20 | 30 | 40 | 49 |
| RATED DISCHARGE * CAPACITY IN ACCORDANCE WITH BS EN 4126 AIR AT 15°C AND 1013 mbar Std. Litres/s | 27 | 47 | 56 | 71 | 95 | 120 | 144 | 169 | 193 | 217 | 242 | 266 | 508 | 752 | 995 | 1214 |
| RATED DISCHARGE * CAPACITY IN ACCORDANCE WITH TÜV, AIR AT 0°C AND 1013 mbar Normal m³/h | 86 | 150.6 | 182 | 229 | 307.5 | 385.9 | 464.3 | 542.7 | 621.2 | 699.6 | 778 | 856.5 | 1641 | 2425 | 3209 | 3915 |

FLOW CHART (P.E.D.) SATURATED STEAM

| SET PRESSURE Bar.g | 0.32 | 1 | 1.4 | 2 | 3 | 4 | 5 | 6 | 7 | 8 | 9 | 10 | 11 | 12 |
|--|------|-----|-----|-----|-----|-----|-----|-----|-----|-----|-----|-----|-----|-----|
| RATED DISCHARGE * CAPACITY IN ACCORDANCE WITH BS EN 4126 STEAM Kg/hr | 71 | 116 | 140 | 179 | 239 | 298 | 358 | 417 | 475 | 534 | 592 | 651 | 709 | 767 |
| RATED DISCHARGE * CAPACITY IN ACCORDANCE WITH TÜV STEAM Kg/hr | - | 116 | 140 | 176 | 237 | 297 | 358 | 418 | 478 | 539 | 599 | 660 | 720 | 780 |

FLOW CHART (A.S.M.E.)

| SET PRESSURE Psig | 20 | 30 | 40 | 50 | 60 | 70 | 80 | 90 | 100 | 150 | 200 | 250 | 300 | 400 | 500 | 600 | 700 | 710 |
|---|-----|-----|-----|-----|-----|-----|-----|-----|-----|-----|-----|------|------|------|------|------|------|------|
| RATED DISCHARGE * CAPACITY IN ACCORDANCE WITH ASME AIR AT 60°F AND 14.7 psia/scfm | 131 | 166 | 204 | 242 | 280 | 318 | 356 | 395 | 433 | 624 | 814 | 1005 | 1196 | 1578 | 1960 | 2341 | 2723 | 2761 |

* DISCHARGING TO ATMOSPHERE

VALVE TYPE OPTIONS:

63613, 64613, 65613 = TUV, B.S. (P.E.D.)
 63713, 64713, 65713 = A.S.M.E. & N.B.
 63113, 64113, 65113 = A.S.M.E. & N.B., TUV, B.S. (P.E.D.)

VALVE SELECTION CHART

Standard thread sizes shown, other sizes may be available.

| INLET CONNECTION | OUTLET CONNECTION | ORDERING CODE | TOP FITTING CODE | | | | |
|------------------------------|--------------------------|----------------------------|------------------|------|------|------|------|
| | | | R | S | SL | BV | L |
| G 3/4 (3/4" BSP PARALLEL) | G 1 (1" BSP PARALLEL) | 63613A 63713A 63113A | 2103 | 1303 | 4103 | 0503 | 3303 |
| R 3/4 (3/4" BSP TAPER) | | 64613A 64713A 65713A | 2113 | 1313 | 4113 | 0513 | 3313 |
| 3/4" NPT | | 65613A 65713A 65113A | 2123 | 1323 | 4123 | 0523 | 3323 |



Example: Ordering code 63613A_2103 is brass construction Rota lift type R, with 3/4" BSP parallel inlet connection, 1" BSP parallel outlet connection with Viton® seals and wirelocked.

Seal material: Last digit of ordering code calls up Viton® seal (since this is the most universal type).

When other material is required last digit changes to:

1. NITRILE
2. VITON®
3. VITON®
4. NEOPRENE
5. ETHYLENE PROPYLENE
6. ETHYLENE PROPYLENE
7. NITRILE
8. PERFLUOROELASTOMER

For advice on seal material selection refer to Technical Information Section A.

SHEET 2 OF 2 SHEETS.



SEETRU LIMITED

ALBION DOCKSIDE WORKS, BRISTOL. BS1 6UT
 TELEPHONE +44 (0) 117 927 9204, FAX +44 (0) 117 929 8193
 www.seetru.com enquires@seetru.com

13mm Nominal Bore
 DIRECT SPRING LOADED ENCLOSED
 DISCHARGE SAFETY VALVE FOR
 COMPRESSED AIR, GASES & STEAM

ENCLOSED DISCHARGE
 13mm NOMINAL BORE SERIES M/2
 TYPE 63613, 63713, 63113 BRASS
 TYPE 64613, 64713, 64113 ST.STL.
 TYPE 65613, 65713, 65113 BRASS/ST.STL.